



ARCS II

CONSTANT CURVATURE WST ENCLOSURE

The **ARCS® II** is the full-range element of a constant curvature WST® (Wavefront Sculpture Technology) line source.

The ARCS II loudspeaker enclosure is based on a 2-way active design with a nominal impedance of 8 ohms for both the HF and the LF section. It features one 15" neodymium speaker in a bass-reflex tuned enclosure and one 3" neodymium diaphragm compression driver coupled to a DOSC® waveguide. The cabinet is made of first grade Baltic birch plywood to ensure maximum acoustical and mechanical integrity.

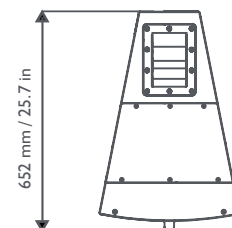
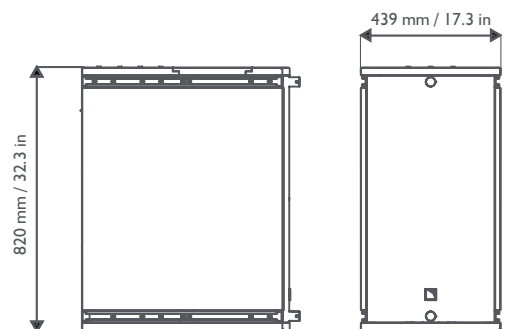
The ARCS II operates over the nominal frequency range of 50 Hz to 20 kHz. This response can be extended down to 25 Hz with the SB28 subwoofer. The DOSC HF waveguide generates a 22.5° symmetric x 60° asymmetric (-20°/+40°) directivity pattern. These values correspond to the horizontal x vertical coverage angles, for an ARCS II enclosure standing vertically.

The ARCS II rigging system allows assembling a horizontal or vertical array with constant curvature. The DOSC waveguide in the HF region ensure a perfect acoustic coupling between the elements of an array. The WST criteria are fulfilled, so that such an array can be qualified as a true line source. Any WST line source provides a smooth tonal response and a coverage that is free of secondary lobes over the entire frequency range.

The ARCS II is driven and amplified by the LA4X or the LA8 controller with a single factory preset. These ensure system linearization, protection, and optimization for the loudspeaker system.



Usable bandwidth (-10 dB)	50 Hz - 20 kHz ([ARCS II] preset)	
Maximum SPL'	142 dB ([ARCS II] preset)	
Coverage angle (-6 dB)	22.5° symmetric x 60° asymmetric (-20°/+40°)	
Transducers	LF: 1 x 15", neodymium, weather-resistant, bass-reflex HF: 1 x 3", neodymium, diaphragm compression driver, DOSC waveguide	
Nominal impedance	LF: 8 Ω HF: 8 Ω	
RMS power handling	LF: 600 W HF: 100 W	
Connectors	IN: 1 x 4-point SpeakOn® LINK: 1 x 4-point SpeakOn®	
Rigging components	Captive coupling bars	
Physical data		
W x H x D	439 x 820 x 652 mm	17.3 x 32.3 x 25.7 in
Weight (net)	50 kg	110 lb
Cabinet	Baltic birch plywood	
Finish	Dark grey brown Pantone® 426C	
Front	Steel grill with anti-corrosion coating, Airnet® fabric	
Protection rating	IP55	
Rigging components	Steel with anti-corrosion coating	



1 Peak level at 1 m under free field conditions using pink noise with crest factor 4 (preset specified in brackets).