

**SPECIFICATIONS (See notes 1 and 2)**

**Loudspeaker Type:** 2-way, Full-range, bass ported  
**Operating Range:** 70 Hz - 18 kHz  
 70 Hz - 18 kHz (+/-5dB)  
**Max Input (Passive):** 200W continuous, 500W program  
 40 volts RMS, 89 volts momentary peak  
**Recommended Power Amp:** 420W to 600W @ 8 Ohms

**Max Inputs (Biamp):**  
 LF: (Same as for Passive mode)  
 Recommended LF Power Amp: (Same as for Passive mode)  
 HF: 50W continuous, 125W program  
 20 volts RMS, 45 volts momentary peak  
 Recommended HF Power Amp: 100W to 150W @ 8 Ohms

**Sensitivity 1W/1m:**  
 97dB SPL (70 Hz - 16 kHz 1/3 octave bands)  
 96dB SPL (250 Hz - 4 kHz speech range)

**Maximum Output:** 120 dB SPL / 127 dB SPL (peak)  
**Nominal Impedance (passive):** 8 Ohms  
**Min Impedance:** 5.6 Ohms @ 180 Hz  
**Nominal Impedances (Biamp):** LF: 8 Ohms, HF: 8 Ohms  
**Nominal -6 dB Beamwidth:**  
 80° H (+3° / -11°, 2 kHz - 10 kHz)  
 35° V (+8° / -2°, 2 kHz - 10 kHz)

**Axial Q / DI:**  
 22.2 / 13.5, 2 kHz - 10 kHz

**Crossover Frequency:** 2 kHz  
**Recommended Signal Processing:** 60 Hz high pass filter  
**Drivers:**

LF (1) 12", Ferrofluid-cooled  
 HF (1) 1" exit, titanium diaphragm

**Driver Protection:** PowerSense™ DDP  
**Input Connection:** (2) Neutrik NL4MP  
 (2) 1/4 inch jack

**Controls:** Passive / Biamp switch  
 2 position HF level switch

**Enclosure:** 13-ply 18 mm Baltic birch, Polane painted

**Enclosure Hardware:**  
 (1) Steel recessed spring handle  
 (4) Heavy-duty rubber feet

**Mounting / Rigging Provisions:**  
 (6) 3/8-16 rigging points, W.L.L. 150 lb. vertical pull each  
 (1) 1-3/8" pole socket

**Grille:** 16 gauge perforated steel (see options)

**Required Accessories:** None

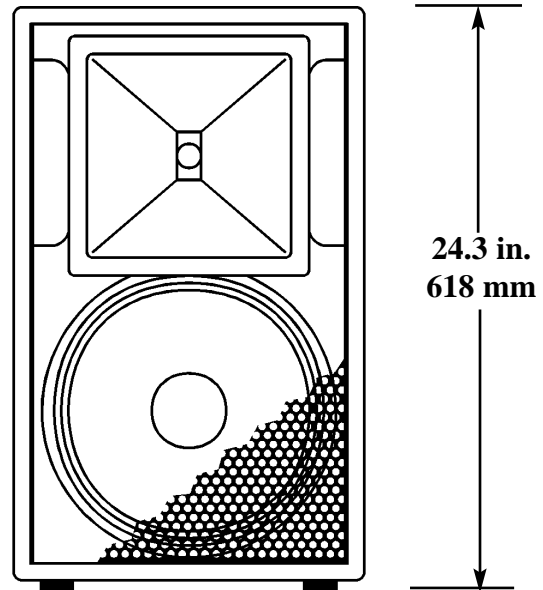
**Supplied Accessories:** None

**Optional Accessories:**  
 EYBLKIT: (4) 3/8-16 forged eyebolts  
 SB5: black 5 ft x 1-3/8" steel pole for mounting to a subwoofer

**Dimensions (including feet):**  
 Height: 24.3 in. / 618 mm (23.9 in. / 608 mm w/o feet)  
 Width (front): 14.6 in. / 371 mm  
 Width (rear): 9.2 in. / 234 mm  
 Depth: 14.75 in. / 375 mm

**Weight:** 53.5 lb. / 24.3 kg  
**Shipping Weight:** 57 lb. / 25.9 kg

**1. Sensitivity:** Free field pink noise measurement at 20 feet (6.1m) at 25% power; extrapolated to 1 meter and an input of 2.83 volts RMS.  
**2. Watts:** All wattage figures are calculated using the rated nominal impedance.



**APPLICATIONS:**

- Theatres / Auditoria
- Houses of Worship
- Sport Facilities
- Health Clubs
- Clubs
- A/V Systems

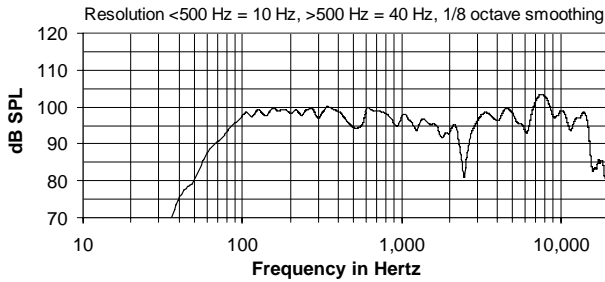
**FEATURES:**

- 1" Titanium HF Driver with HF Level Switch
- Ferrofluid-cooled 12" LF
- Switchable Passive / Biamp Modes
- PowerSense™ DDP Circuit with Front/Rear Indicators
- Trapezoidal Enclosure for Arraying
- Steel Handle and Input Panel
- Black Paint Exterior
- Stand Socket

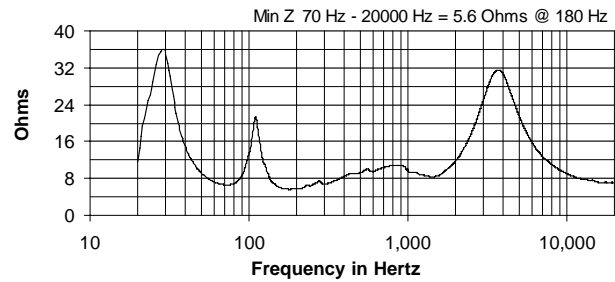
**DESCRIPTION**

The XLT42E is a small and versatile two-way full-range bass reflex loudspeaker system engineered for multiple uses in club and performance public address. This system has a rotatable HF horn. Availability of both captive rigging points and provision for a stand adapter allow this system to be used effectively in both portable and installed situations. The black-painted 13-ply Baltic birch enclosure and black perforated steel grille present an attractive package. Features an over-drive indicator light and a passive / biamp switch on the input panel, PowerSense protection circuitry and a Ferrofluid cooled woofer. Five year warranty.

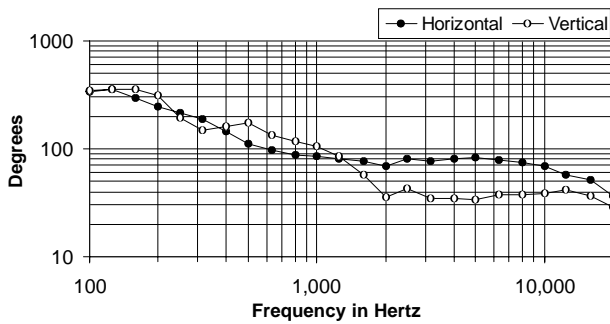
**FREQUENCY RESPONSE**



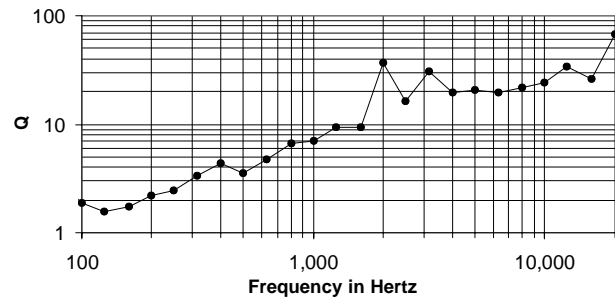
**IMPEDANCE**



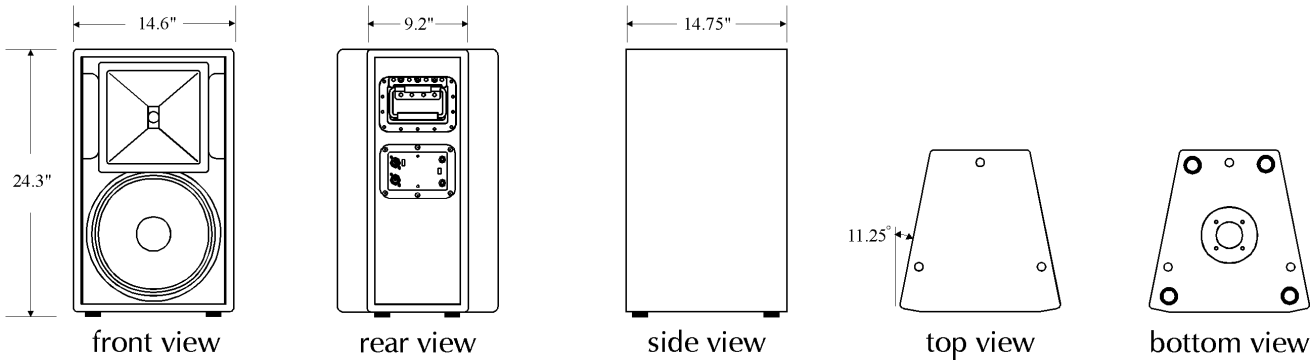
**BEAMWIDTH**



**AXIAL Q**



**DIMENSIONS**



**ARCHITECTS' AND ENGINEERS' SPECIFICATIONS**

The loudspeaker system shall be a two-way, full-range bass reflex trapezoidal design with one 12 in. Ferrofluid-cooled woofer and one 1 in. exit HF driver with a titanium diaphragm mounted to a 90° HF fiberglass horn. Drivers shall be connected to an integral crossover with a crossover frequency of 2 kHz and integral over-current protection circuitry using high positive current coefficient resistors. There shall be two NL4MP connectors and two 1/4" phone jack connectors with a switch for passive or biamplified connection and rear-facing LED over-power indicator light. The loudspeaker enclosure shall be 13-ply Baltic birch plywood with a 16 gauge perforated steel grille and finished with black paint. The system shall have an amplitude response of 70 Hz to 18 kHz (+/- 5 dB), input capability of 40V RMS, 97 dB sensitivity at one meter and 2.83V / 8 ohms nominal impedance. The nominal dispersion shall be 80° H x 35° V from 2 kHz to 10 kHz. The loudspeaker shall be 24.3 in. (618 mm) H x 14.6 in. (371 mm) W (front) x 9.2 in. (234 mm) W (rear) x 14.75 in. (375 mm) D and weigh 53.5 lbs (24.3 kg).